

PARTS LIST

[KD-S700GN]
[KD-S700BU]
[KD-S7250]

* All printed circuit boards and its assemblies are not available as service parts.

Area suffix
J ----- Northern America

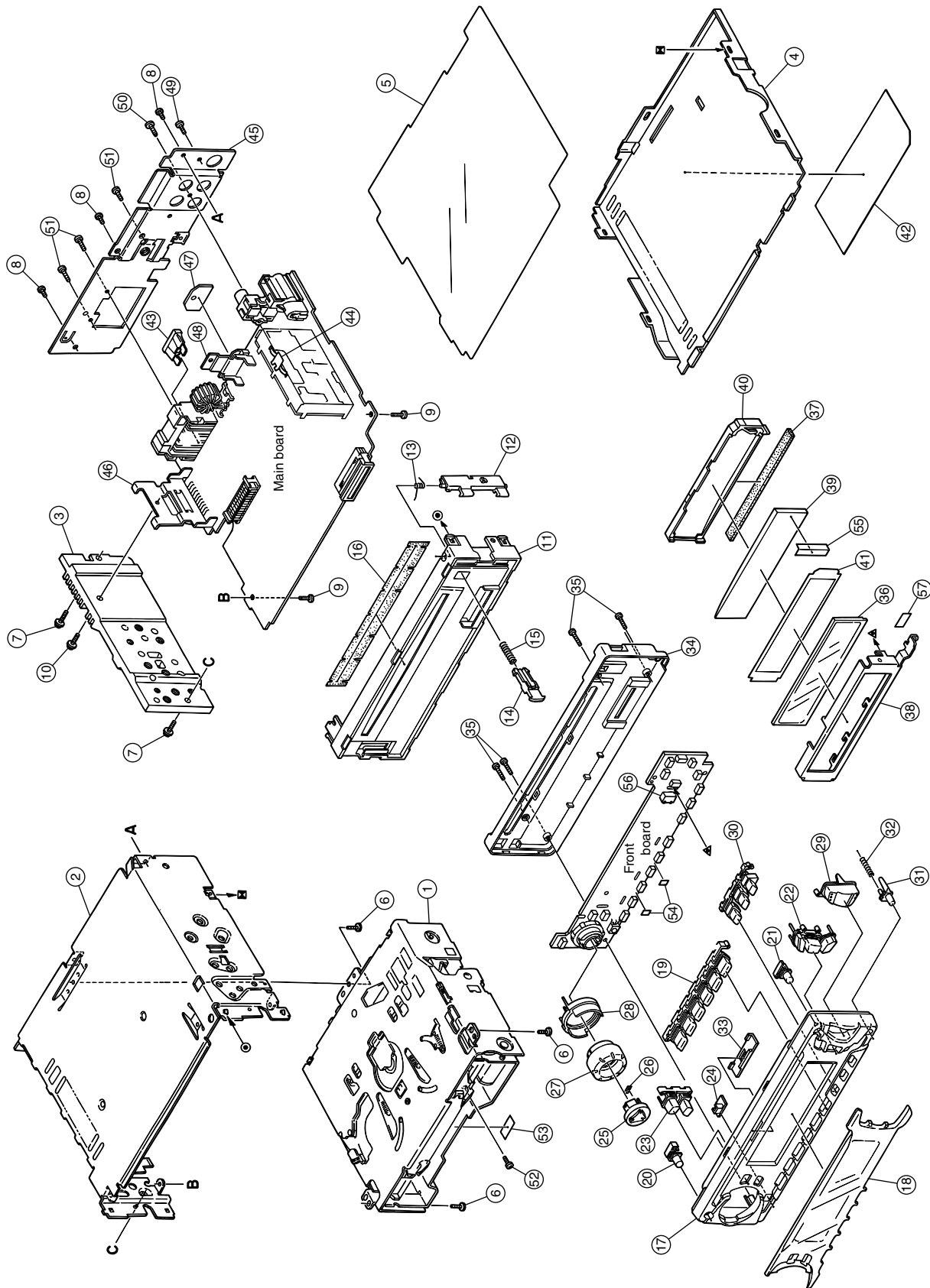
- Contents -

Exploded view of general assembly and parts list (Block No.M1)	3- 2
CD mechanism assembly and parts list (Block No.MB)	3- 5
Electrical parts list (Block No.01~02)	3- 8
Packing materials and accessories parts list (Block No.M3,M5)	3-14

Exploded view of general assembly and parts list

Block No.

M	1	M	M
---	---	---	---



■ Parts list (General assembly)

Block No. M1MM

△	Item	Parts number	Parts name	Q'ty	Description	Area
	1	-----	CD MECHA (1325)	1		
	2	FSJC1029-401	TOP CHASSIS	1		
	3	FSMH3001-202	SIDE PANEL	1		
	4	FSKM3011-002	BOTTOM COVER	1		
	5	FSMA3004-203	INSULATOR	1		
	6	QYSDST2604Z	SCREW	3	CHASSIS+MECHA BKT	
	7	FSKZ4005-001	SCREW	2	CHASSIS+SIDE PANEL	
	8	QYSDST2604Z	SCREW	3	CHASSIS+REAR BKT	
	9	QYSDST2606Z	SCREW	2	CHASSIS+MAIN PWB	
	10	FSKZ4005-001	SCREW	1	SIDE PANEL+IC BKT	
	11	FSJC2013-014	FRONT CHASSIS	1		
	12	FSKS3010-001	LOCK LEVER	1		
	13	FSKW4005-003	TORSION SPRING	1	FOR LOCK LEVEL	
	14	FSXP3026-002	RLS KNOB	1		
	15	FSKW3002-015	COMP.SPRING	1		
	16	FSPK3009-002	BLIND	1		
	17	GE10003-003A	FRONT PANEL	1		
	18	GE30111-019A	FINDER	1	KD-S700GN	
		GE30111-020A	FINDER	1	KD-S700BU	
		GE30111-014A	FINDER	1	KD-S7250	
	19	GE20104-002A	PRESET BUTTON	1		
	20	GE30105-002B	POWER BUTTON	1		
	21	GE30109-002A	EJECT BUTTON	1		
	22	GE20110-004C	D.FUNCT BUTTON	1	FM/CD/AM	
	23	GE30112-001A	PUSH BUTTON(2)	1		
	24	GE40102-001A	REMOTE LENS	1		
	25	GE30366-001A	SEL BUTTON	1		
	26	FSYH4036-032	SHEET	1	FOR SEL BUTTON	
	27	GE30546-001A	KNOB	1		
	28	GE30104-002A	RIM LENS	1	KD-S7250/S700BU	
		GE30104-001A	RIM LENS	1	KD-S700GN	
	29	GE20109-001C	UP DOWN BUTTON	1		
	30	GE30106-001A	SND FUNC BUTTON	1		
	31	FSXP3055-001	DETACH BUTTON	1		
	32	FSKW3002-012	COMP. SPRING	1	FOR DETACH BUTTON	
	33	GE30117-001A	LIGHT LENS	1		
	34	GE10004-002B	REAR COVER	1		
	35	VKZ4777-001	MINI SCREW	4	FRONT+REAR	
	36	QLD0216-001	LCD MODULE	1	KD-S7250	
		QLD0236-001	LCD MODULE	1	KD-S700BU	
		QLD0237-001	LCD MODULE	1	KD-S700GN	
	37	QNZ0442-001	RUBBER CONNE	1		
	38	GE30276-001A	LCD CASE	1		
	39	FSJK3025-001	LCD LENS	1		
	40	FSKS3019-001	LENS CASE	1		
	41	FSYH4074-001	LIGHTING SHEET	1		
	42	GE30392-002A	NAME PLATE	1	KD-S700GN	
		GE30531-002A	NAME PLATE	1	KD-S700BU	

■ Parts list (General assembly)

Block No. M1MM

△	Item	Parts number	Parts name	Q'ty	Description	Area
	42	GE30321-002A	NAME PLATE	1	KD-S7250	
△	43	QMFZ047-150-T	FUSE	1		
	44	VMA4652-001SS	EARTH PLATE	1		
	45	FSKM3010-020	REAR BRACKET	1		
	46	FSKL4024-001	IC BRACKET	1		
	47	GE40104-002B	HEAT SINK	1		
	48	GE40103-001A	REG BRACKET	1		
	49	QYSDST2606Z	SCREW	1	FOR ANT	
	50	QYSDSF3006Z	SCREW	1	FOR LINE OUT	
	51	QYSDST2606Z	SCREW	3	16P & REG BKT	
	52	QYSDST2004Z	SCREW	1		
	53	LV40847-002A	SPACER	1		
	54	FSYH4036-069	SHEET	2		
	55	FSYH4071-001	LIGHTING SHEET	1		
	56	FSKS3016-002	LED HOLDER	1		
	57	FSYH4036-075	SHEET	1		

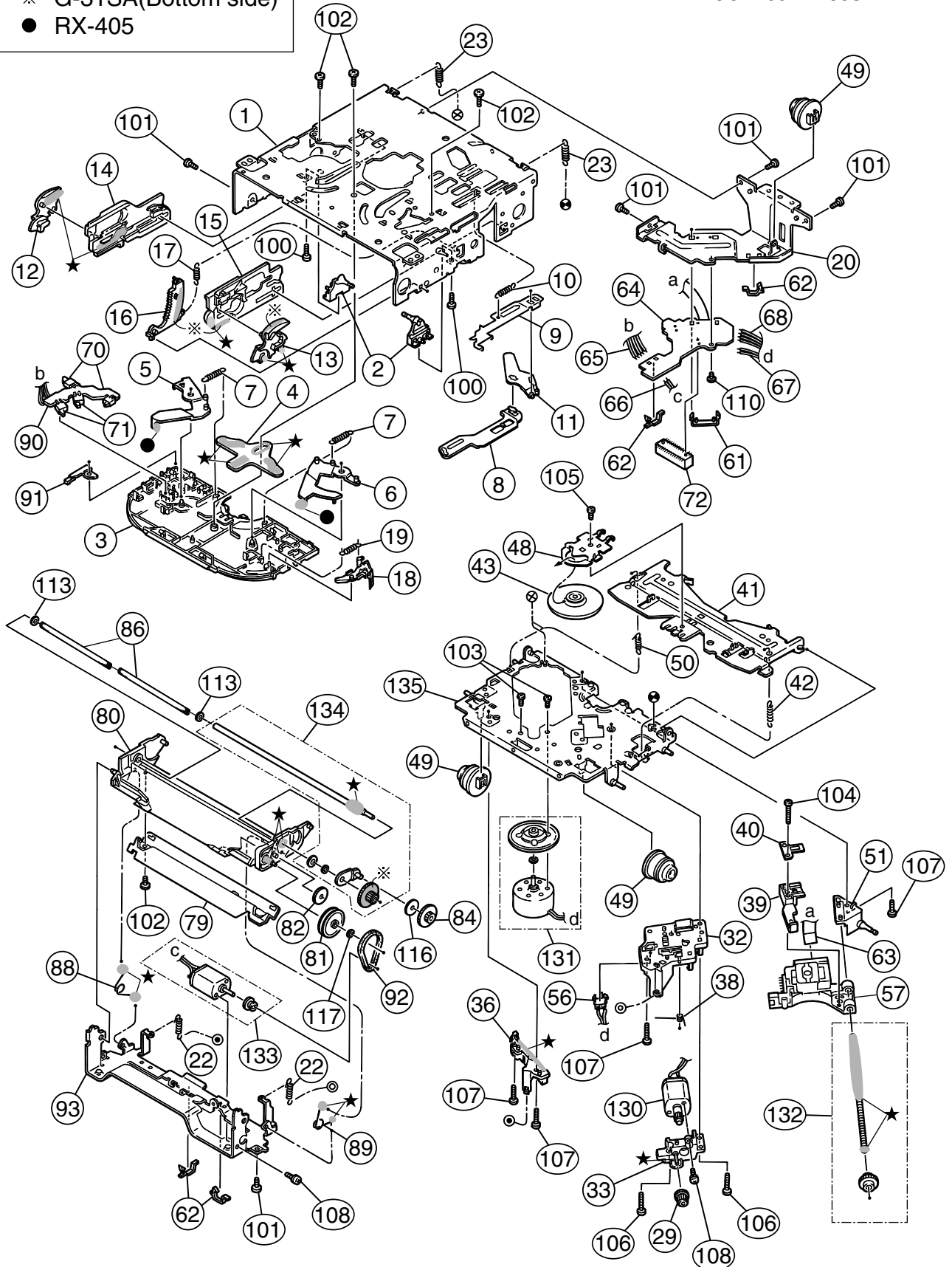
CD mechanism assembly and parts list

Grease

- ★ G-31SA
- ※ G-31SA(Bottom side)
- RX-405

Block No. M B M M

TN-CCD1001Z-138S



■ Parts list (CD mechanism)

Block No. MBMM

△	Item	Parts number	Parts name	Q'ty	Description	Area
	1	30310101T	FRAME	1		
	2	30310103T	DANPER PIN	2		
	3	30310107T	UPPER PLATE	1		
	4	30310108T	SEL STOP PLATE	1		
	5	30310142T	SEL ARM (L)L	1		
	6	30310143T	SEL ARM (R)L	1		
	7	30310145T	S ARM SPRING(L)	2		
	8	30310112T	TRIG LEVER	1		
	9	30310155T	TRIG PL(Z)	1		
	10	30310115T	TRIG PL SPRING	1		
	11	30310116T	TRIG ARM	1		
	12	30310134T	FIX ARM (L)B	1		
	13	30310159T	FIX ARM (R)Z	1		
	14	30310150T	FIX PL (L)Z	1		
	15	30310156T	FIX PL (R) Z	1		
	16	30310138T	LDG GR (6)B	1		
	17	30310122T	LDG GEAR (6)SP	1		
	18	30310148T	S.L ARM(N)	1		
	19	30310125T	S.L ARM SPRING	1		
	20	30310149T	REAR DAM BKT(Z)	1		
	22	30310151T	HUNG UP SP (FZ)	2		
	23	30310129T	HUNG UP SP (R)	2		
	29	30300510T	PU GEAR(B)	1		
	32	30310544T	F.M.BASE(Z)	1		
	33	30310547T	FD GR BLK(Z)	1		
	36	30310546T	PU GUIDE(Z)	1		
	38	30310533T	THRUST SPR(M)	1		
	39	30310577T	PU M NUT(Z-S)	1		
	40	30310512T	NUT PUSH SPR PL	1		
	41	30310558T	CLP ARM(Z)	1		
	42	30310514T	CLP ARM SPRING	1		
	43	30310552T	CLAMPER(Z)	1		
	48	30310557T	CLAMPER PLATE(Z)	1		
	49	30310524T	DAMPER (J)	3		
	50	30310525T	CLP ARM SPR (L)	1		
	51	30310545T	F SCREW GUIDE(Z)	1		
	56	64180405T	DET SW	1	ESE11SF4	
	57	QAL0230-001	C.D PICK (SONY)	1		
	61	30311035T	FPC HOLDER(Z)	1		
	62	19501403T	WIRE CLAMPER	4		
	63	30311045T	PICK UP FPC(Z-S)	1		
	64	30311044T	CONNECT.PCB(Z-S)	1		
	65	30311038T	WIRE (5P-Z)	1		
	66	30311039T	WIRE (LD-Z)	1		
	67	30311040T	WIRE (FD-Z)	1		
	68	30311041T	WIRE (RS-Z)	1		
	70	64180402T	DET SWITCH	2	ESE22MH1	
	71	64180403T	DET SWITCH	2	ESE22MH3	

■ Parts list (CD mechanism)

Block No. MBMM

△	Item	Parts number	Parts name	Q'ty	Description	Area
	72	68150242T	CONNECTOR	1	TKC-W26X-A1	
	79	30311105T	SOPPORT PLATE	1		
	80	30311138T	GR MT BLK(N)	1		
	81	30311109T	LDG GEAR (2)	1		
	82	30311110T	LDG GEAR (3)	1		
	84	30311112T	LDG GEAR (5)	1		
	86	30311136T	LDG ROLLER	2		
	88	30311118T	L.P SPRING (L)	1		
	89	30311119T	L.P SPRING (R)	1		
	90	30311123T	SW PCB	1		
	91	30311124T	SW ACTUATOR	1		
	92	30311129T	LDG BELT	1		
	93	30311140T	FRONT BRKT (J)	1		
	100	9C0620503T	C B TAP SCREW	2	M2X5	
	101	9C2020401T	C SCREW TS.G	5	M2X4	
	102	9C4320403T	C B TAP SCREW	4	M2X4	
	103	9C0117223T	SCREW	2	M1.7X2.2	
	104	9C0917703T	C TAP SCREW S3	1	M1.7X7	
	105	9C0320201T	C TAP SCREW S3	1	M2X2	
	106	9C4920013T	C TAP SCREW S3	2	M2X10	
	107	9C4920603T	C TAP SCREW B3	4	M2X6	
	108	9P0220031T	TAMS SCREW	2	M2X3	
	110	9C0420253	C TAP SCREW	1	M2X2.5	
	113	9W0330276	NW BLUE	2	2.9X5X0.3	
	116	9W0725030T	LUMILAR W	1	2.3X9.8X0.25	
	117	9W0640030T	WASHER	1	1.4X3.2X0.4	
	130	303105310T	FEED MO ASSY	1		
	131	303105311T	SPINDLE MO ASSY	1		
	132	303105312T	FEED SCREW ASSY	1		
	133	303111301T	LDG MOTOR ASSY	1		
	134	303111302T	RDG RLR SFT ASY	1		
	135	303105502T	T.T.BASE ASSY	1		

■ Electrical parts list (Main board)

Block No. 01

△	Item	Parts number	Parts name	Remarks	Area
	C 1	QERF1CM-106Z	E CAPACITOR	10MF 20% 16V	
	C 2	QERF1HM-224Z	E CAPACITOR	.22MF 20% 50V	
	C 12	QERF1HM-104Z	E CAPACITOR	.10MF 20% 50V	
	C 14	NCB31EK-103X	C CAPACITOR		
	C 17	NCS21HJ-560X	C CAPACITOR		
	C 18	NDC31HJ-151X	C CAPACITOR		
	C 21	QERF1CM-106Z	E CAPACITOR	10MF 20% 16V	
	C 22	NCB31HK-223X	C CAPACITOR		
	C 24	QEKJ1AM-227Z	E CAPACITOR	220MF 20% 10V	
	C 31	QERF1HM-225Z	E CAPACITOR	2.2MF 20% 50V	
	C 32	NCB31HK-102X	C CAPACITOR		
	C 33	QERF1AM-227Z	E CAPACITOR	220MF 20% 10V	
	C 35	NDC31HJ-470X	C CAPACITOR		
	C 41	NCB31EK-563X	C CAPACITOR		
	C 42	NCB31HK-123X	C CAPACITOR		
	C 81	QERF1HM-105Z	E CAPACITOR	1.0MF 20% 50V	
	C 82	QERF1HM-105Z	E CAPACITOR	1.0MF 20% 50V	
	C 83	NCB21EK-333X	C CAPACITOR		
	C 84	NCB21EK-333X	C CAPACITOR		
	C 85	NCB31HK-103X	C CAPACITOR		
	C 161	QERF1CM-106Z	E CAPACITOR	10MF 20% 16V	
	C 162	NCS31HJ-471X	C CAPACITOR		
	C 163	NCB31EK-104X	C CAPACITOR		
	C 164	QERF1CM-106Z	E CAPACITOR	10MF 20% 16V	
	C 165	NCB31HK-472X	C CAPACITOR		
	C 166	NCB21CK-224X	C CAPACITOR		
	C 167	NCB21CK-224X	C CAPACITOR		
	C 171	QERF1CM-106Z	E CAPACITOR	10MF 20% 16V	
	C 172	NCS31HJ-471X	C CAPACITOR		
	C 173	NCB31EK-104X	C CAPACITOR		
	C 174	QERF1CM-106Z	E CAPACITOR	10MF 20% 16V	
	C 175	NCB31HK-472X	C CAPACITOR		
	C 176	NCB21CK-224X	C CAPACITOR		
	C 177	NCB21CK-224X	C CAPACITOR		
	C 178	QEKJ1CM-476Z	E CAPACITOR	47MF 20% 16V	
	C 179	NCB31EK-103X	C CAPACITOR		
	C 180	QEKJ1CM-107Z	E CAPACITOR	100MF 20% 16V	
	C 181	QERF1HM-225Z	E CAPACITOR	2.2MF 20% 50V	
	C 182	QERF1HM-225Z	E CAPACITOR	2.2MF 20% 50V	
	C 183	NCS31HJ-221X	C CAPACITOR		
	C 184	NCS31HJ-221X	C CAPACITOR		
	C 185	QERF1HM-105Z	E CAPACITOR	1.0MF 20% 50V	
	C 186	QERF1HM-105Z	E CAPACITOR	1.0MF 20% 50V	
	C 191	QERF1HM-225Z	E CAPACITOR	2.2MF 20% 50V	
	C 192	QERF1HM-225Z	E CAPACITOR	2.2MF 20% 50V	
	C 193	NCS31HJ-221X	C CAPACITOR		
	C 194	NCS31HJ-221X	C CAPACITOR		
	C 195	QERF1HM-105Z	E CAPACITOR	1.0MF 20% 50V	
	C 196	QERF1HM-105Z	E CAPACITOR	1.0MF 20% 50V	
	C 201	NCB31EK-103X	C CAPACITOR		
	C 202	NCB31EK-104X	C CAPACITOR		
	C 203	NCB31HK-472X	C CAPACITOR		
	C 204	NCS31HJ-471X	C CAPACITOR		
	C 211	NCB31EK-103X	C CAPACITOR		
	C 212	NCB31EK-104X	C CAPACITOR		
	C 213	NCB31HK-472X	C CAPACITOR		
	C 214	NCS31HJ-471X	C CAPACITOR		
	C 215	QERF1EM-475Z	E CAPACITOR	4.7MF 20% 25V	
	C 216	NCB31EK-104X	C CAPACITOR		
	C 242	QEKJ1CM-226Z	E CAPACITOR	22MF 20% 16V	
	C 243	NCB31EK-473X	C CAPACITOR		
	C 244	QERF1HM-224Z	E CAPACITOR	.22MF 20% 50V	
	C 245	QERF1HM-105Z	E CAPACITOR	1.0MF 20% 50V	

△	Item	Parts number	Parts name	Remarks	Area
	C 300	NCB31HK-223X	C CAPACITOR		
	C 303	NDC31HJ-101X	C CAPACITOR		
	C 304	NDC31HJ-101X	C CAPACITOR		
	C 305	NDC31HJ-101X	C CAPACITOR		
	C 306	NDC31HJ-101X	C CAPACITOR		
	C 308	QERF1EM-475Z	E CAPACITOR	4.7MF 20% 25V	
	C 309	QERF1EM-475Z	E CAPACITOR	4.7MF 20% 25V	
	C 313	NDC31HJ-101X	C CAPACITOR		
	C 314	NDC31HJ-101X	C CAPACITOR		
	C 315	NDC31HJ-101X	C CAPACITOR		
	C 316	NDC31HJ-101X	C CAPACITOR		
	C 317	NCB31HK-223X	C CAPACITOR		
	C 318	QERF1CM-107Z	E CAPACITOR	100MF 20% 16V	
	C 319	QEKJ1CM-476Z	E CAPACITOR	47MF 20% 16V	
	C 320	QEKJ1CM-226Z	E CAPACITOR	22MF 20% 16V	
	C 321	NDC31HJ-101X	C CAPACITOR	KD-S7250	
	C 331	NDC31HJ-101X	C CAPACITOR	KD-S7250	
	C 333	NCB31EK-473X	C CAPACITOR		
	C 341	NDC31HJ-101X	C CAPACITOR		
	C 351	NDC31HJ-101X	C CAPACITOR		
	C 361	NCB31EK-104X	C CAPACITOR		
	C 362	NCB31EK-104X	C CAPACITOR		
	C 363	NCB31EK-104X	C CAPACITOR		
	C 364	NCB31EK-104X	C CAPACITOR		
	C 501	NCB31HK-103X	C CAPACITOR		
	C 502	NCB31HK-103X	C CAPACITOR		
	C 503	QERF1AM-107Z	E CAPACITOR	100MF 20% 10V	
	C 504	NCB31HK-103X	C CAPACITOR		
	C 505	QERF1AM-107Z	E CAPACITOR	100MF 20% 10V	
	C 507	NCB31HK-682X	C CAPACITOR		
	C 508	NCB31HK-103X	C CAPACITOR		
	C 509	QERF1AM-107Z	E CAPACITOR	100MF 20% 10V	
	C 510	NCB31CK-104X	C CAPACITOR		
	C 511	NCB31CK-104X	C CAPACITOR		
	C 512	NDC31HJ-820X	C CAPACITOR		
	C 513	NCB31HK-103X	C CAPACITOR		
	C 514	NDC31HJ-5R0X	C CAPACITOR		
	C 521	NCB31HK-103X	C CAPACITOR		
	C 522	QERF1AM-107Z	E CAPACITOR	100MF 20% 10V	
	C 523	NDC31HJ-470X	C CAPACITOR		
	C 524	NCB31HK-153X	C CAPACITOR		
	C 525	NCB31HK-103X	C CAPACITOR		
	C 526	NCB31HK-272X	C CAPACITOR		
	C 527	NCB31HK-103X	C CAPACITOR		
	C 528	NCB31EK-333X	C CAPACITOR		
	C 530	NCB31EK-333X	C CAPACITOR		
	C 531	NCB31EK-473X	C CAPACITOR		
	C 533	NCS31HJ-471X	C CAPACITOR		
	C 534	NCS31HJ-471X	C CAPACITOR		
	C 535	NCB31EK-473X	C CAPACITOR		
	C 536	NCB31EK-473X	C CAPACITOR		
	C 537	NCB31EK-473X	C CAPACITOR		
	C 538	NCB31EK-473X	C CAPACITOR		
	C 539	QEKJ1CM-107Z	E CAPACITOR	100MF 20% 16V	
	C 540	NCB31HK-103X	C CAPACITOR		
	C 541	NCB31HK-103X	C CAPACITOR		
	C 544	NCB31HK-103X	C CAPACITOR		
	C 545	QEKJ1CM-107Z	E CAPACITOR	100MF 20% 16V	
	C 546	NDC31HJ-101X	C CAPACITOR		
	C 547	NCB31CK-104X	C CAPACITOR		
	C 548	QERF1AM-107Z	E CAPACITOR	100MF 20% 10V	
	C 549	NCB31HK-103X	C CAPACITOR		
	C 550	QERF1HM-105Z	E CAPACITOR	1.0MF 20% 50V	

■ Electrical parts list (Main board)

Block No. 01

△	Item	Parts number	Parts name	Remarks	Area	△	Item	Parts number	Parts name	Remarks	Area
	C 551	QERF1AM-107Z	E CAPACITOR	100MF 20% 10V			D 341	1SS133-T1	SI DIODE		
	C 552	NCB31HK-103X	C CAPACITOR				D 561	DSK10C-T1	DIODE		
	C 553	NDC31HJ-100X	C CAPACITOR				D 701	UDZS6.2B-X	SI DIODE		
	C 554	NDC31HJ-100X	C CAPACITOR				D 702	UDZS6.2B-X	SI DIODE		
	C 555	NDC31HJ-121X	C CAPACITOR				D 703	UDZS6.2B-X	SI DIODE		
	C 561	QERF1AM-476Z	E CAPACITOR	47MF 20% 10V			D 704	UDZS6.2B-X	SI DIODE		
	C 562	NCB31HK-103X	C CAPACITOR				D 705	UDZS6.2B-X	SI DIODE		
	C 563	QERF1CM-226Z	E CAPACITOR	22MF 20% 16V			D 706	UDZS6.2B-X	SI DIODE		
	C 571	NCS31HJ-821X	C CAPACITOR				D 707	UDZS6.2B-X	SI DIODE		
	C 572	QEKJ1EM-475Z	E CAPACITOR	4.7MF 20% 25V			D 708	UDZS6.2B-X	SI DIODE		
	C 573	NCS31HJ-121X	C CAPACITOR				D 709	UDZS6.2B-X	SI DIODE		
	C 574	NCS31HJ-821X	C CAPACITOR				D 901	1N5401-F64	SI DIODE		
	C 581	NCS31HJ-821X	C CAPACITOR				D 903	1SS133-T1	SI DIODE		
	C 582	QEKJ1EM-475Z	E CAPACITOR	4.7MF 20% 25V			D 905	CRS03-W	SB DIODE		
	C 583	NCS31HJ-121X	C CAPACITOR				D 906	CRS03-W	SB DIODE		
	C 584	NCS31HJ-821X	C CAPACITOR				D 971	1SS355-X	DIODE		
	C 587	QEKJ1CM-106Z	E CAPACITOR	10MF 20% 16V			D 972	1SS355-X	DIODE		
	C 591	QEKJ1AM-107Z	E CAPACITOR	100MF 20% 10V			D 976	1SS133-T1	SI DIODE		
	C 592	QEKJ0JM-476Z	E CAPACITOR	47MF 20% 6.3V			D 977	UDZ11B-X	Z DIODE		
	C 593	QEKJ0JM-476Z	E CAPACITOR	47MF 20% 6.3V			IC161	BD3860K	IC		
	C 594	NCS31EJ-102X	C CAPACITOR				IC302	LA4743K	IC		
	C 597	QEKJ1CM-106Z	E CAPACITOR	10MF 20% 16V			IC501	TA2147F-X	IC		
	C 701	QERF1AM-227Z	E CAPACITOR	220MF 20% 10V		△	IC521	TC9490FA	IC		
	C 702	NCB31EK-104X	C CAPACITOR				IC561	LA6574H-X	IC		
	C 703	NCB31EK-104X	C CAPACITOR				IC571	NJM4565M-WE	IC		
	C 705	NDC31HJ-220X	C CAPACITOR				IC701	UPD178078GF-559	IC		
	C 706	NDC31HJ-220X	C CAPACITOR				IC901	HA13164A	IC		
	C 707	QERF1AM-227Z	E CAPACITOR	220MF 20% 10V			L 1	QQL244J-4R7Z	INDUCTOR		
	C 708	NCB31EK-103X	C CAPACITOR				L 521	QQL244J-470Z	INDUCTOR		
	C 710	NCB31EK-104X	C CAPACITOR				L 522	QQL244J-470Z	INDUCTOR		
	C 711	NCS31HJ-102X	C CAPACITOR				L 523	QQL244J-470Z	INDUCTOR		
	C 901	QEZ0337-228	E CAPACITOR	2200MF			L 524	QQL244J-470Z	INDUCTOR		
	C 903	QERF1CM-476Z	E CAPACITOR	47MF 20% 16V			L 701	QQL244J-4R7Z	INDUCTOR		
	C 904	QERF1CM-226Z	E CAPACITOR	22MF 20% 16V			L 702	QQL244J-4R7Z	INDUCTOR		
	C 905	QERF1AM-227Z	E CAPACITOR	220MF 20% 10V			L 901	QQR0703-001	CHOKE COIL		
	C 906	QERF1HM-225Z	E CAPACITOR	2.2MF 20% 50V			Q 1	UN2211-X	TRANSISTOR		
	C 907	NCB31HK-103X	C CAPACITOR				Q 21	2SB1197K/QR/-X	TRANSISTOR		
	C 908	QERF1AM-227Z	E CAPACITOR	220MF 20% 10V			Q 22	2SB709A/R/-X	TRANSISTOR		
	C 909	QERF1AM-227Z	E CAPACITOR	220MF 20% 10V			Q 23	UN2211-X	TRANSISTOR		
	C 910	QERF1CM-106Z	E CAPACITOR	10MF 20% 16V			Q 31	2SD601A/R/-X	TRANSISTOR		
	C 913	QERF1CM-106Z	E CAPACITOR	10MF 20% 16V			Q 32	2SD601A/R/-X	TRANSISTOR		
	C 914	NCB31EK-104X	C CAPACITOR				Q 41	2SC3661-X	TRANSISTOR		
	C 975	NCB31EK-823X	C CAPACITOR				Q 42	2SC3661-X	TRANSISTOR		
	C 976	QERF0JM-476Z	E CAPACITOR	47MF 20% 6.3V			Q 241	2SD601A/R/-X	TRANSISTOR		
	C 977	QERF1CM-107Z	E CAPACITOR	100MF 20% 16V			Q 301	UN2211-X	TRANSISTOR		
	CJ 1	QNB0100-002	ANT TERMINAL				Q 321	2SD1048/6-7/-X	TRANSISTOR	KD-S7250	
	CJ321	QNN0176-001	PIN JACK	KD-S7250			Q 331	2SD1048/6-7/-X	TRANSISTOR	KD-S7250	
	CJ321	QNN0170-001	PIN JACK	KD-S700GN/S700BU			Q 341	2SD1048/6-7/-X	TRANSISTOR		
	CJ691	VMC0334-001	CONNECTOR				Q 351	2SD1048/6-7/-X	TRANSISTOR		
	CN501	QGB2027M1-26S	CONNECTOR				Q 501	2SB1241/QR/-T	TRANSISTOR		
	CN901	QNZ0002-001	16P CONNECTOR				Q 521	UN2111-X	TRANSISTOR		
	D 1	1SS133-T1	SI DIODE				Q 522	UN2211-X	TRANSISTOR		
	D 2	1SS133-T1	SI DIODE				Q 561	2SB1322/RS/-T	TRANSISTOR		
	D 21	1SS133-T1	SI DIODE				Q 963	2SB709A/R/-X	TRANSISTOR		
	D 22	1SS133-T1	SI DIODE				Q 964	UN2211-X	TRANSISTOR		
	D 31	MTZJ10C-T1	Z DIODE				Q 971	2SD601A/R/-X	TRANSISTOR		
	D 101	UDZS10B-X	Z DIODE				Q 976	UN2111-X	TRANSISTOR		
	D 242	1SS133-T1	SI DIODE				Q 977	UN2111-X	TRANSISTOR		
	D 243	1SS133-T1	SI DIODE				R 1	NRSA63J-102X	MG RESISTOR		
	D 244	1SS133-T1	SI DIODE				R 2	NRSA63J-470X	MG RESISTOR		
	D 245	1SS133-T1	SI DIODE				R 3	NRSA63J-102X	MG RESISTOR		
	D 301	1SS133-T1	SI DIODE				R 4	NRSA63J-473X	MG RESISTOR		
	D 331	1SS133-T1	SI DIODE				R 5	NRSA63J-103X	MG RESISTOR		

■ Electrical parts list (Main board)

Block No. 01

△	Item	Parts number	Parts name	Remarks	Area
	R 8	NRSA63J-223X	MG RESISTOR		
	R 9	NRSA63J-822X	MG RESISTOR		
	R 21	NRSA63J-103X	MG RESISTOR		
	R 22	NRSA63J-102X	MG RESISTOR		
	R 23	NRSA63J-103X	MG RESISTOR		
	R 24	NRSA02J-222X	MG RESISTOR		
	R 25	NRS181J-150X	MG RESISTOR		
	R 26	NRS181J-150X	MG RESISTOR		
	R 27	NRSA02J-100X	MG RESISTOR		
	R 31	NRSA63J-152X	MG RESISTOR		
	R 32	NRSA63J-102X	MG RESISTOR		
	R 33	NRSA02J-103X	MG RESISTOR		
	R 34	NRSA02J-471X	MG RESISTOR		
	R 41	NRSA63J-102X	MG RESISTOR		
	R 42	NRSA63J-392X	MG RESISTOR		
	R 43	NRSA02J-102X	MG RESISTOR		
	R 81	NRSA63J-272X	MG RESISTOR		
	R 82	NRSA63J-272X	MG RESISTOR		
	R 83	NRSA63J-432X	MG RESISTOR		
	R 84	NRSA63J-432X	MG RESISTOR		
	R 161	NRSA63J-224X	MG RESISTOR		
	R 162	NRSA63J-682X	MG RESISTOR		
	R 163	NRSA63J-332X	MG RESISTOR		
	R 171	NRSA63J-224X	MG RESISTOR		
	R 172	NRSA63J-682X	MG RESISTOR		
	R 173	NRSA63J-332X	MG RESISTOR		
	R 175	NRSA63J-222X	MG RESISTOR		
	R 176	NRSA63J-222X	MG RESISTOR		
	R 181	NRSA63J-103X	MG RESISTOR		
	R 182	NRSA63J-103X	MG RESISTOR		
	R 183	NRSA63J-273X	MG RESISTOR		
	R 184	NRSA63J-273X	MG RESISTOR		
	R 191	NRSA63J-103X	MG RESISTOR		
	R 192	NRSA63J-103X	MG RESISTOR		
	R 193	NRSA63J-273X	MG RESISTOR		
	R 194	NRSA63J-273X	MG RESISTOR		
	R 211	NRSA63J-105X	MG RESISTOR		
	R 221	NRSA63J-0R0X	MG RESISTOR		
	R 241	NRSA63J-224X	MG RESISTOR		
	R 242	NRSA63J-224X	MG RESISTOR		
	R 243	NRSA63J-102X	MG RESISTOR		
	R 244	NRSA63J-563X	MG RESISTOR		
	R 245	NRSA63J-123X	MG RESISTOR		
	R 246	NRSA63J-184X	MG RESISTOR		
	R 247	NRSA63J-223X	MG RESISTOR		
	R 248	NRSA63J-101X	MG RESISTOR		
	R 249	NRSA63J-473X	MG RESISTOR		
	R 305	NRSA02J-473X	MG RESISTOR		
	R 306	NRSA02J-471X	MG RESISTOR		
	R 307	NRSA63J-472X	MG RESISTOR		
	R 321	NRSA02J-102X	MG RESISTOR	KD-S7250	
	R 322	NRSA02J-101X	MG RESISTOR	KD-S7250	
	R 325	NRSA63J-222X	MG RESISTOR	KD-S7250	
	R 331	NRSA02J-102X	MG RESISTOR	KD-S7250	
	R 332	NRSA02J-101X	MG RESISTOR	KD-S7250	
	R 335	NRSA63J-222X	MG RESISTOR	KD-S7250	
	R 341	NRSA02J-102X	MG RESISTOR		
	R 342	NRSA02J-101X	MG RESISTOR		
	R 345	NRSA63J-222X	MG RESISTOR		
	R 351	NRSA02J-102X	MG RESISTOR		
	R 352	NRSA02J-101X	MG RESISTOR		
	R 355	NRSA63J-222X	MG RESISTOR		
	R 501	NRSA63J-823X	MG RESISTOR		

△	Item	Parts number	Parts name	Remarks	Area
	R 502	NRSA63J-823X	MG RESISTOR		
	R 503	NRSA63J-823X	MG RESISTOR		
	R 504	NRSA63J-823X	MG RESISTOR		
	R 505	NRSA63J-154X	MG RESISTOR		
	R 506	NRSA63J-154X	MG RESISTOR		
	R 507	NRSA02J-220X	MG RESISTOR		
	R 508	NRSA02J-220X	MG RESISTOR		
	R 509	NRSA63J-823X	MG RESISTOR		
	R 510	NRSA63J-473X	MG RESISTOR		
	R 511	NRSA63J-103X	MG RESISTOR		
	R 512	NRSA63J-202X	MG RESISTOR		
	R 513	NRSA63J-102X	MG RESISTOR		
	R 514	NRSA63J-273X	MG RESISTOR		
	R 515	NRSA63J-101X	MG RESISTOR		
	R 516	NRSA63J-821X	MG RESISTOR		
	R 517	NRSA63J-473X	MG RESISTOR		
	R 521	NRSA63J-562X	MG RESISTOR		
	R 522	NRSA63J-473X	MG RESISTOR		
	R 523	NRSA63J-474X	MG RESISTOR		
	R 524	NRSA63J-333X	MG RESISTOR		
	R 525	NRSA63J-103X	MG RESISTOR		
	R 526	NRSA63J-0R0X	MG RESISTOR		
	R 527	NRSA63J-101X	MG RESISTOR		
	R 528	NRSA63J-101X	MG RESISTOR		
	R 529	NRSA63J-0R0X	MG RESISTOR		
	R 530	NRSA63J-0R0X	MG RESISTOR		
	R 531	NRSA63J-101X	MG RESISTOR		
	R 532	NRSA63J-101X	MG RESISTOR		
	R 533	NRSA63J-105X	MG RESISTOR		
	R 534	NRSA63J-472X	MG RESISTOR		
	R 535	NRSA63J-472X	MG RESISTOR		
	R 536	NRSA63J-472X	MG RESISTOR		
	R 537	NRSA63J-472X	MG RESISTOR		
	R 538	NRSA63J-103X	MG RESISTOR		
	R 539	NRSA63J-225X	MG RESISTOR		
	R 561	NRSA63J-103X	MG RESISTOR		
	R 562	NRSA63J-682X	MG RESISTOR		
	R 563	NRSA63J-562X	MG RESISTOR		
	R 564	NRSA63J-682X	MG RESISTOR		
	R 565	NRSA02J-203X	MG RESISTOR		
	R 566	NRSA02J-822X	MG RESISTOR		
	R 571	NRSA63J-153X	MG RESISTOR		
	R 572	NRSA63J-333X	MG RESISTOR		
	R 573	NRSA63J-123X	MG RESISTOR		
	R 574	NRSA63J-151X	MG RESISTOR		
	R 575	NRSA63J-103X	MG RESISTOR		
	R 581	NRSA63J-153X	MG RESISTOR		
	R 582	NRSA63J-333X	MG RESISTOR		
	R 583	NRSA63J-123X	MG RESISTOR		
	R 584	NRSA63J-151X	MG RESISTOR		
	R 585	NRSA63J-103X	MG RESISTOR		
	R 591	NRSA63J-223X	MG RESISTOR		
	R 592	NRSA63J-223X	MG RESISTOR		
	R 593	NRSA63J-223X	MG RESISTOR		
	R 594	NRSA63J-223X	MG RESISTOR		
	R 685	NRSA63J-473X	MG RESISTOR		
	R 686	NRSA63J-473X	MG RESISTOR		
	R 704	NRSA63J-473X	MG RESISTOR		
	R 706	NRSA63J-222X	MG RESISTOR		
	R 707	NRSA63J-222X	MG RESISTOR		
	R 709	NRSA63J-222X	MG RESISTOR		
	R 710	NRSA63J-473X	MG RESISTOR		
	R 711	NRSA63J-473X	MG RESISTOR		

■ Electrical parts list (Main board)

Block No. 01

△	Item	Parts number	Parts name	Remarks	Area
	R 712	NRSA63J-473X	MG RESISTOR		
	R 713	NRSA63J-473X	MG RESISTOR		
	R 714	NRSA63J-103X	MG RESISTOR		
	R 715	NRSA63J-103X	MG RESISTOR		
	R 716	NRSA63J-103X	MG RESISTOR		
	R 717	NRSA63J-103X	MG RESISTOR		
	R 718	NRSA63J-472X	MG RESISTOR		
	R 719	NRSA63J-103X	MG RESISTOR		
	R 720	NRSA63J-472X	MG RESISTOR		
	R 721	NRSA63J-103X	MG RESISTOR		
	R 722	NRSA63J-472X	MG RESISTOR		
	R 723	NRSA63J-473X	MG RESISTOR		
	R 724	NRSA63J-473X	MG RESISTOR		
	R 725	NRSA63J-473X	MG RESISTOR		
	R 726	NRSA63J-0R0X	MG RESISTOR		
	R 727	NRSA63J-0R0X	MG RESISTOR		
	R 728	NRSA63J-473X	MG RESISTOR		
	R 729	NRSA63J-473X	MG RESISTOR		
	R 731	NRSA63J-473X	MG RESISTOR		
	R 732	NRSA63J-103X	MG RESISTOR		
	R 733	NRSA63J-473X	MG RESISTOR		
	R 734	NRSA63J-104X	MG RESISTOR		
	R 735	NRSA63J-103X	MG RESISTOR		
	R 744	NRSA63J-222X	MG RESISTOR		
	R 745	NRSA63J-222X	MG RESISTOR		
	R 746	NRSA63J-103X	MG RESISTOR		
	R 747	NRSA63J-103X	MG RESISTOR		
	R 748	NRSA63J-103X	MG RESISTOR		
	R 749	NRSA63J-0R0X	MG RESISTOR		
	R 750	NRSA63J-473X	MG RESISTOR		
	R 892	NRSA63J-222X	MG RESISTOR		
	R 893	NRSA63J-473X	MG RESISTOR		
	R 901	QRZ0125-102X	C RESISTOR	1.0K 1W	
	R 902	NRSA02J-912X	MG RESISTOR		
	R 903	NRSA02J-472X	MG RESISTOR		
	R 905	NRSA63J-122X	MG RESISTOR		
	R 906	NRSA63J-102X	MG RESISTOR		
	R 907	NRS181J-222X	MG RESISTOR		
	R 908	NRS181J-222X	MG RESISTOR		
	R 967	NRSA63J-273X	MG RESISTOR		
	R 968	NRSA63J-103X	MG RESISTOR		
	R 971	NRSA63J-473X	MG RESISTOR		
	R 976	NRSA63J-473X	MG RESISTOR		
	TU 1	QAU0257-001	TUNER		
	X 521	QAX0413-001Z	CRYSTAL		
	X 701	QAX0406-001Z	CRYSTAL		

■ Electrical parts list (Front board)

Block No. 02

△	Item	Parts number	Parts name	Remarks	Area
	C 601	NCB31HK-223X	C CAPACITOR		
	C 602	NCS31HJ-681X	C CAPACITOR		
	C 603	NBE20JM-106X	TS E CAP SVB20J		
	C 611	NCB31HK-123X	C CAPACITOR		
	C 612	NBE20JM-475X	TS E CAPACITOR		
	C 681	NCB31HK-223X	C CAPACITOR		
	C 682	NCB31HK-223X	C CAPACITOR		
	CJ601	VMC0335-001	CONNECTOR		
	D 601	SML-310VT/JK/-X	LED	KD-S7250/S700BU	
	D 601	LNJ308G81/1-3/X	LED	KD-S700GN	
	D 602	LNJ308G81/1-3/X	LED	KD-S700GN	
	D 602	SML-310VT/JK/-X	LED	KD-S7250/S700BU	
	D 603	SML-310VT/JK/-X	LED	KD-S7250/S700BU	
	D 603	LNJ308G81/1-3/X	LED	KD-S700GN	
	D 604	LNJ308G81/1-3/X	LED	KD-S700GN	
	D 604	SML-310VT/JK/-X	LED	KD-S7250/S700BU	
	D 605	SML-310VT/JK/-X	LED	KD-S7250/S700BU	
	D 605	LNJ308G81/1-3/X	LED	KD-S700GN	
	D 606	LNJ308G81/1-3/X	LED	KD-S700GN	
	D 606	SML-310VT/JK/-X	LED	KD-S7250/S700BU	
	D 607	SML-310VT/JK/-X	LED	KD-S7250/S700BU	
	D 607	LNJ308G81/1-3/X	LED	KD-S700GN	
	D 608	LNJ308G81/1-3/X	LED	KD-S700GN	
	D 608	SML-310VT/JK/-X	LED	KD-S7250/S700BU	
	D 609	LNJ308G81/1-3/X	LED	KD-S700GN	
	D 609	SML-310VT/JK/-X	LED	KD-S7250/S700BU	
	D 610	SML-310VT/JK/-X	LED	KD-S7250/S700BU	
	D 610	LNJ308G81/1-3/X	LED	KD-S700GN	
	D 611	LNJ308G81/1-3/X	LED	KD-S700GN	
	D 611	SML-310VT/JK/-X	LED	KD-S7250/S700BU	
	D 613	SML-310VT/JK/-X	LED	KD-S7250/S700BU	
	D 613	LNJ308G81/1-3/X	LED	KD-S700GN	
	D 614	LNJ308G81/1-3/X	LED	KD-S700GN	
	D 614	SML-310VT/JK/-X	LED	KD-S7250/S700BU	
	D 615	SML-310VT/JK/-X	LED	KD-S7250/S700BU	
	D 615	LNJ308G81/1-3/X	LED	KD-S700GN	
	D 616	LNJ308G81/1-3/X	LED	KD-S700GN	
	D 616	SML-310VT/JK/-X	LED	KD-S7250/S700BU	
	D 617	LNJ308G81/1-3/X	LED	KD-S700GN	
	D 617	SML-310VT/JK/-X	LED	KD-S7250/S700BU	
	D 618	SML-310VT/JK/-X	LED	KD-S700GN	
	D 618	LT1F67AF-W	LED	KD-S7250/S700BU	
	D 619	SML-310VT/JK/-X	LED	KD-S7250/S700BU	
	D 619	LNJ308G81/1-3/X	LED	KD-S700GN	
	D 620	LNJ308G81/1-3/X	LED	KD-S700GN	
	D 620	SML-310VT/JK/-X	LED	KD-S7250/S700BU	
	D 621	SML-310VT/JK/-X	LED	KD-S7250/S700BU	
	D 621	LNJ308G81/1-3/X	LED	KD-S700GN	
	D 622	LNJ308G81/1-3/X	LED	KD-S700GN	
	D 622	SML-310VT/JK/-X	LED	KD-S7250/S700BU	
	D 623	SML-310VT/JK/-X	LED	KD-S7250/S700BU	
	D 623	LNJ308G81/1-3/X	LED	KD-S700GN	
	D 624	LNJ308G81/1-3/X	LED	KD-S700GN	
	D 624	SML-310VT/JK/-X	LED	KD-S7250/S700BU	
	D 625	SML-310LT/MN/-X	LED	POWER LED	
	D 641	UDZS5.1B-X	Z DIODE		
	D 642	1SS355-X	DIODE		
	D 643	1SS355-X	DIODE		
	D 644	NSPW310BS/BRS/	LED		
	D 645	NSPW310BS/BRS/	LED		
	D 646	UDZS6.2B-X	SI DIODE		
	IC601	PT6523LQ	IC		
	IC602	RPM6938-SV4	IC		

△	Item	Parts number	Parts name	Remarks	Area
	JS690	QSW0793-001	ROTARY ENCODER		
	R 601	NRSA63J-182X	MG RESISTOR		
	R 602	NRSA63J-122X	MG RESISTOR		
	R 603	NRSA63J-182X	MG RESISTOR		
	R 604	NRSA63J-272X	MG RESISTOR		
	R 605	NRSA63J-392X	MG RESISTOR		
	R 606	NRSA63J-821X	MG RESISTOR		
	R 607	NRSA63J-821X	MG RESISTOR		
	R 608	NRSA63J-122X	MG RESISTOR		
	R 609	NRSA63J-182X	MG RESISTOR		
	R 610	NRSA63J-272X	MG RESISTOR		
	R 611	NRSA63J-392X	MG RESISTOR		
	R 612	NRSA63J-821X	MG RESISTOR		
	R 613	NRSA63J-821X	MG RESISTOR		
	R 614	NRSA63J-122X	MG RESISTOR		
	R 615	NRSA63J-182X	MG RESISTOR		
	R 616	NRSA63J-272X	MG RESISTOR		
	R 631	NRSA63J-821X	MG RESISTOR		
	R 632	NRSA63J-122X	MG RESISTOR	KD-S700GN	
	R 632	NRSA63J-182X	MG RESISTOR	KD-S7250/S700BU	
	R 633	NRSA63J-182X	MG RESISTOR	KD-S7250/S700BU	
	R 633	NRSA63J-122X	MG RESISTOR	KD-S700GN	
	R 634	NRSA63J-182X	MG RESISTOR	KD-S7250/S700BU	
	R 634	NRSA63J-911X	MG RESISTOR	KD-S700GN	
	R 635	NRSA63J-911X	MG RESISTOR	KD-S700GN	
	R 635	NRSA63J-182X	MG RESISTOR	KD-S7250/S700BU	
	R 636	NRSA63J-182X	MG RESISTOR	KD-S7250/S700BU	
	R 636	NRSA63J-511X	MG RESISTOR	KD-S700GN	
	R 637	NRSA63J-511X	MG RESISTOR	KD-S700GN	
	R 637	NRSA63J-182X	MG RESISTOR	KD-S7250/S700BU	
	R 638	NRSA63J-511X	MG RESISTOR		
	R 639	NRSA63J-511X	MG RESISTOR		
	R 640	NRSA63J-511X	MG RESISTOR		
	R 641	NRSA63J-511X	MG RESISTOR		
	R 642	NRSA63J-471X	MG RESISTOR	KD-S700GN	
	R 642	NRSA63J-821X	MG RESISTOR	KD-S7250/S700BU	
	R 643	NRSA63J-821X	MG RESISTOR	KD-S7250/S700BU	
	R 643	NRSA63J-471X	MG RESISTOR	KD-S700GN	
	R 644	NRSA63J-821X	MG RESISTOR	KD-S700GN	
	R 644	NRSA63J-182X	MG RESISTOR	KD-S7250/S700BU	
	R 645	NRSA63J-182X	MG RESISTOR	KD-S7250/S700BU	
	R 645	NRSA63J-821X	MG RESISTOR	KD-S700GN	
	R 646	NRSA63J-821X	MG RESISTOR		
	R 647	NRSA63J-821X	MG RESISTOR		
	R 648	NRSA63J-182X	MG RESISTOR	KD-S700GN	
	R 648	NRSA63J-681X	MG RESISTOR	KD-S7250/S700BU	
	R 649	NRSA63J-182X	MG RESISTOR	KD-S700GN	
	R 649	NRSA63J-821X	MG RESISTOR	KD-S7250/S700BU	
	R 651	NRSA63J-222X	MG RESISTOR		
	R 652	NRSA63J-222X	MG RESISTOR		
	R 653	NRSA63J-103X	MG RESISTOR		
	R 654	NRSA63J-103X	MG RESISTOR		
	R 655	NRSA63J-103X	MG RESISTOR		
	R 656	NRSA63J-103X	MG RESISTOR		
	R 657	NRSA63J-513X	MG RESISTOR		
	R 658	NRSA63J-184X	MG RESISTOR		
	R 659	NRS181J-391X	MG RESISTOR		
	R 660	NRS181J-391X	MG RESISTOR		
	R 661	NRS181J-103X	MG RESISTOR		
	R 662	NRSA63J-471X	MG RESISTOR		
	R 681	NRSA63J-101X	MG RESISTOR		
	S 601	NSW0066-001X	TACT SWITCH	POWER	
	S 602	NSW0066-001X	TACT SWITCH	1	

■ Electrical parts list (Front board)

Block No. 02

△	Item	Parts number	Parts name	Remarks	Area
	S 603	NSW0066-001X	TACT SWITCH	2	
	S 604	NSW0066-001X	TACT SWITCH	3	
	S 605	NSW0066-001X	TACT SWITCH	4	
	S 606	NSW0066-001X	TACT SWITCH	5	
	S 607	NSW0066-001X	TACT SWITCH	SELECT	
	S 608	NSW0066-001X	TACT SWITCH	DISP/LOUD	
	S 609	NSW0066-001X	TACT SWITCH	S-EQ	
	S 610	NSW0066-001X	TACT SWITCH	SCAN/RPT	
	S 611	NSW0066-001X	TACT SWITCH	MO/RND	
	S 612	NSW0066-001X	TACT SWITCH	EJECT	
	S 613	NSW0066-001X	TACT SWITCH	I<<	
	S 614	NSW0066-001X	TACT SWITCH	6	
	S 615	NSW0066-001X	TACT SWITCH	INFO	
	S 616	NSW0066-001X	TACT SWITCH	AM	
	S 617	NSW0066-001X	TACT SWITCH	CD	
	S 618	NSW0066-001X	TACT SWITCH	FM	
	S 619	NSW0066-001X	TACT SWITCH	>>I	

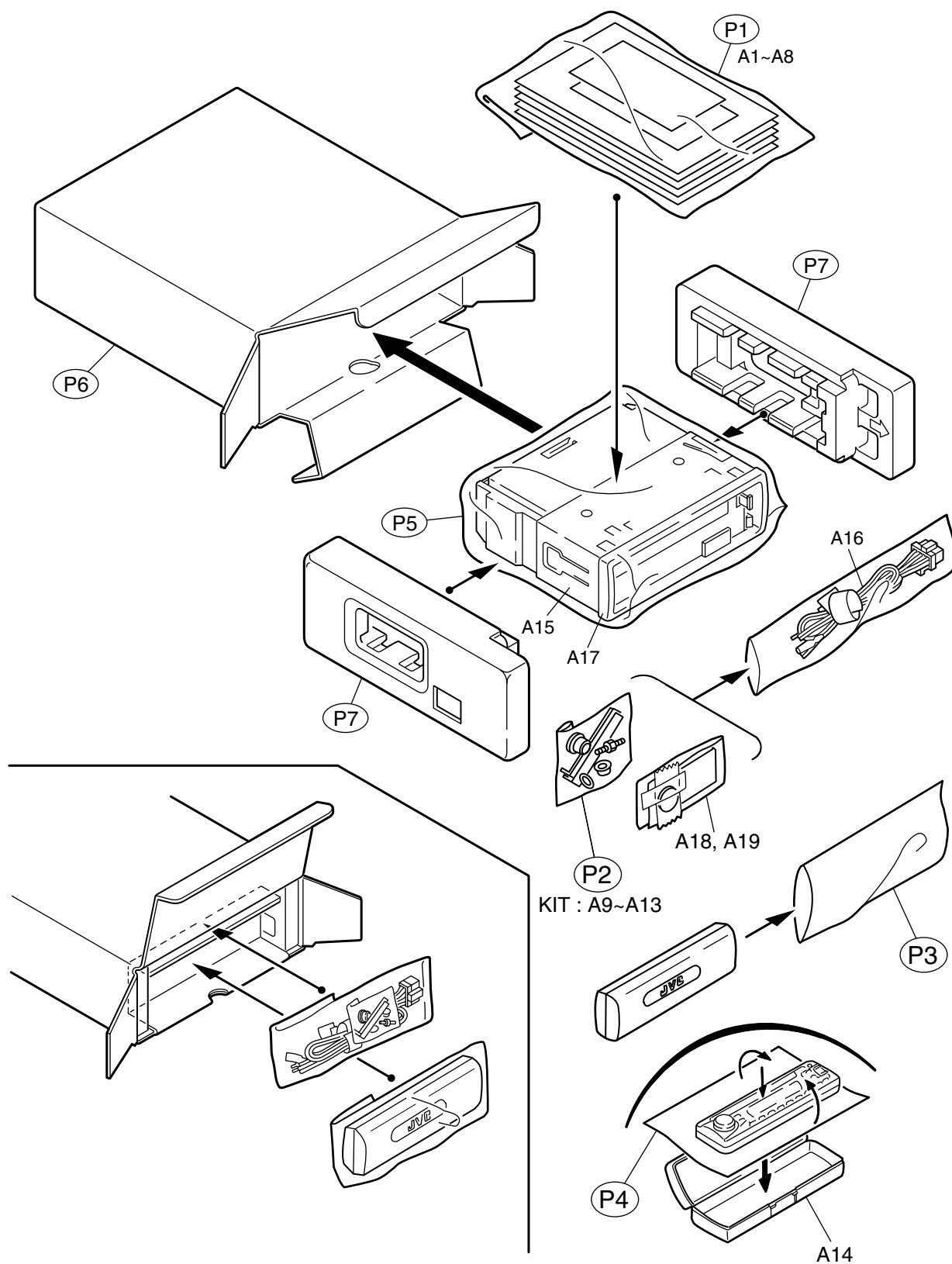
Packing materials and accessories parts list

Block No.

M	3	M	M
---	---	---	---

Block No.

M	5	M	M
---	---	---	---



■ Parts list (Packing)

Block No. M3MM

△	Item	Parts number	Parts name	Q'ty	Description	Area
	P 1	FSPG4002-001	POLY BAG	1	FOR INST BOOK	
	P 2	QPA00801205	POLY BAG	1	FOR SCREW KIT	
	P 3	QPA01003003	POLY BAG	1	FOR HARD CASE	
	P 4	FSYH4036-068	SHEET	1		
	P 5	QPC03004315P	POLY BAG	1	FOR SET	
	P 6	GE30407-001A	PACKING CASE	1	KD-S7250	
		GE30407-035A	PACKING CASE	1	KD-S700GN	
		GE30407-040A	PACKING CASE	1	KD-S700BU	
	P 7	GE10036-001A	EPS CUSHION	2		

■ Parts list (Accessories)

Block No. M5MM

△	Item	Parts number	Parts name	Q'ty	Description	Area
	A 1	GET0058-001B	INST BOOK	1	ENG, SPA, FRE	
	A 2	GET0058-002A	INSTALL MANUAL	1	ENG, SPA, FRE	
	A 3	GET0092-001A	CAUTION SHEET	1		
	A 4	LVT0717-001A	TROUBLE SHEET(C	1		
	A 5	BT-51018-3	WARRANTY CARD	1	KD-S700GN/BU	
		BT-51029-1	J=REGIST CAR	1	KD-S7250	
	A 6	BT-52005-1	WARRANTY CARD	1	KD-S7250	
		BT-52004-2	WARRANTY CARD	1	KD-S700GN/BU	
	A 7	BT-51028-1	J=REGIST CAR	1		
	A 8	BT-20071B-S	JVC CENTER LIST	1		
	A 9	VKZ4027-202	PLUG NUT	1		
	A 10	VKH4871-001SS	MOUNT BOLT	1		
	A 11	VKZ4328-001	LOCK NUT	1		
	A 12	WNS5000Z	WASHER	1		
	A 13	FSKL4010-002	HOOK	2		
	A 14	FSJB3001-30C	HARD CASE	1		
	A 15	FSKM2004-202	MOUNTING SLEEVE	1		
	A 16	QAM0013-006	16P CORD ASS'Y	1		
	A 17	FSJD2034-005	TRIM PLATE	1		
	A 18	RM-RK31	REMOCON	1		
	A 19	QAB0014-001	LI BATTERY	1		
	KIT	KDGS717K-SCREW1	SCREW PARTS KIT	1	A9~A13	